



Round Cylinder | ISO 6432



Round cylinder | ISO 6432

Technical information	
Diameter	Ø8 - Ø10 - Ø12 - Ø16 - Ø20 - Ø25 mm
Stroke	10 - 25 - 40 - 50 - 160 - 200 - 250 - 320 mm (depending on diameter)
	<input type="checkbox"/> Single acting <input type="checkbox"/> Double acting
Medium	Air
Pressure range	1 ... 10 bar
Temperature range	-20°C ... +80°C
	FPM version 0°C ... +150°C
	Below 0°C air has to be dried.

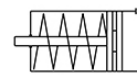
Materials	
Tube	Stainless steel
Heads	Anodized aluminum
Piston	Brass
Piston rod	Stainless steel
Guide bushing	Sintered bronze
Seals	PUR, NBR/FPM (depending on type)

R	I	M	A	8	/	125	Ex
				DIAMETER	STROKE		OPTIONS
				8	10		Ex ATEX version
				10	25		
				12	40		
				16	50		
				20	80		
				25	100		
					125		
					160		
					200		
					250		
					320		
VERSION							
WITHOUT Standard seals, stainless steel piston rod							
F FPM seals (for type REM)							
V Spring pushes piston rod out (for type REM)							
VK Spring pushes piston rod out, FPM Piston (for type REM)							
VF Spring pushes piston rod out, FPM seals (for type REM)							
R Head cut off (for type RIM)							
A Head cut off, port parallel to rod (for type RIM)							
O Non-rotating piston rod (for type RIM)							
K FPM Piston (for type RIM, RBM and RDM)							
V FPM seals (for type RIM, RBM and RDM)							
FUNCTION							
E Single acting							
I Double acting							
B Double acting, through piston rod							
D Double acting, adjustable cushioning							

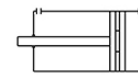


REM/RIM

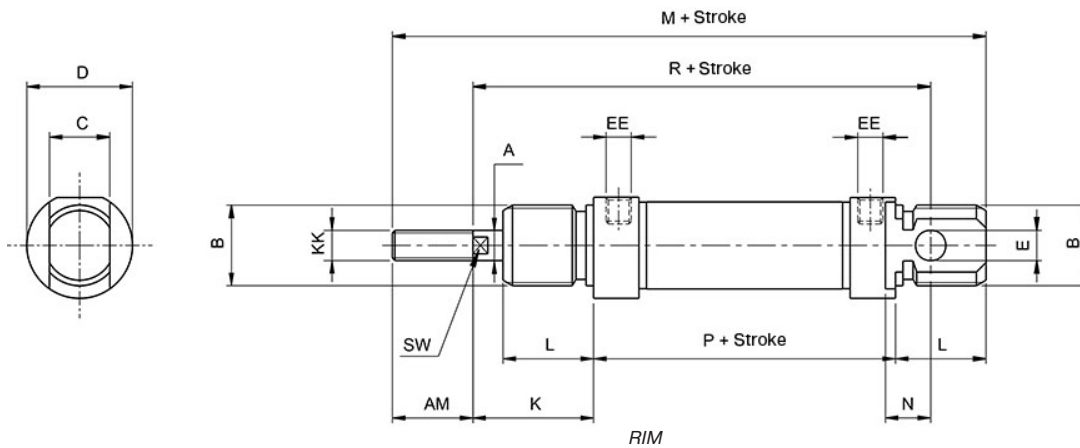
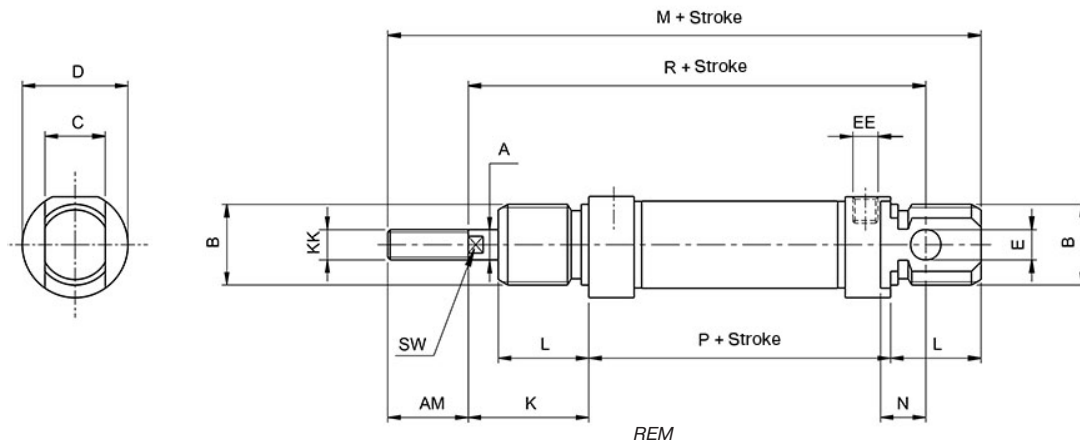
page 18



REM



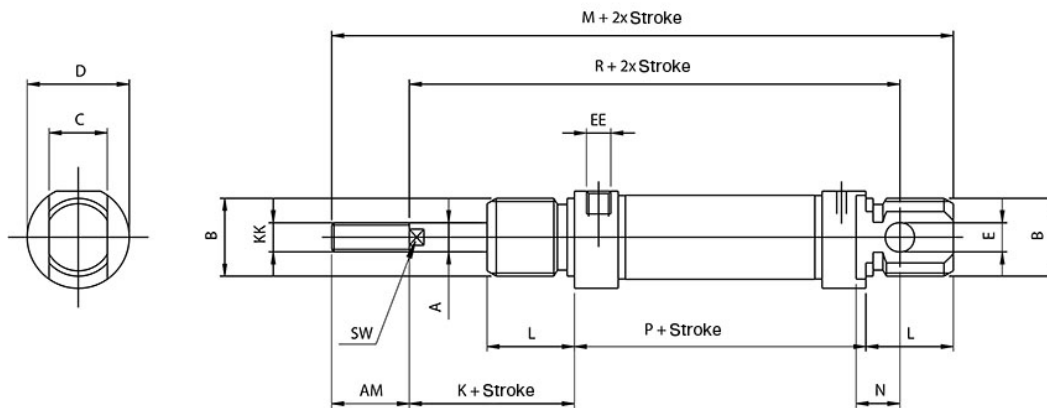
RIM



Ø [mm]	A	B	C	D	E	K	L	M	N	P	R	AM	EE	KK	SW
Ø 8	4	M12x1,25	8	16	4	16	12	86	6	46	64	12	M5	M4	-
Ø 10	4	M12x1,25	8	16	4	16	12	86	6	46	64	12	M5	M4	-
Ø 12	6	M16x1,5	12	19	6	22	18	104	9	48	75	16	M5	M6	5
Ø 16	6	M16x1,5	12	19	6	22	18	109	9	53	82	16	M5	M6	5
Ø 20	8	M22x1,5	16	27	8	24	20	131	12	67	95	20	G1/8"	M8	7
Ø 25	10	M22x1,5	16	30	8	28	22	140	12	68	104	22	G1/8"	M10x1,25	9

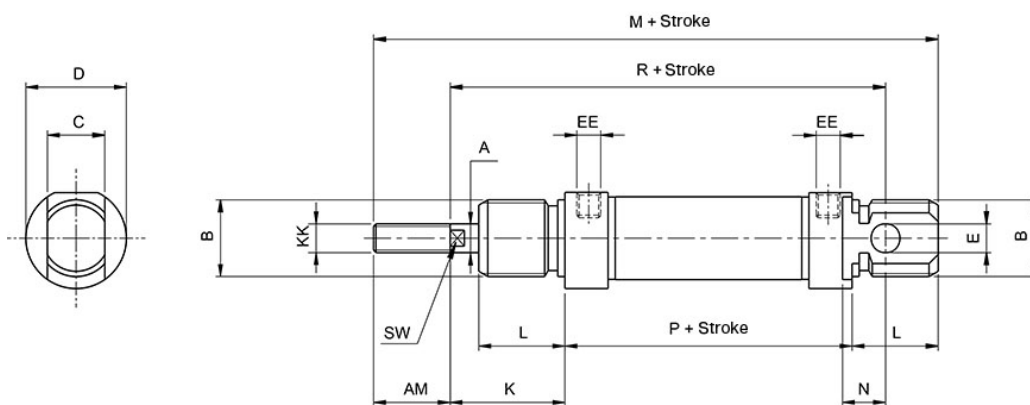
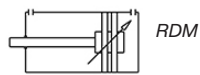


REMV



Ø [mm]	A	B	C	D	E	K	L	M	N	P	R	AM	EE	KK	SW
Ø 16	6	M16x1,5	12	19	6	22	18	134,5	9	78,5	107,5	16	M5	M6	5
Ø 20	8	M22x1,5	16	27	8	24	20	154	12	90	118	20	G1/8"	M8	7
Ø 25	10	M22x1,5	16	30	8	28	22	166	12	94	130	22	G1/8"	M10x1,25	9

RDM

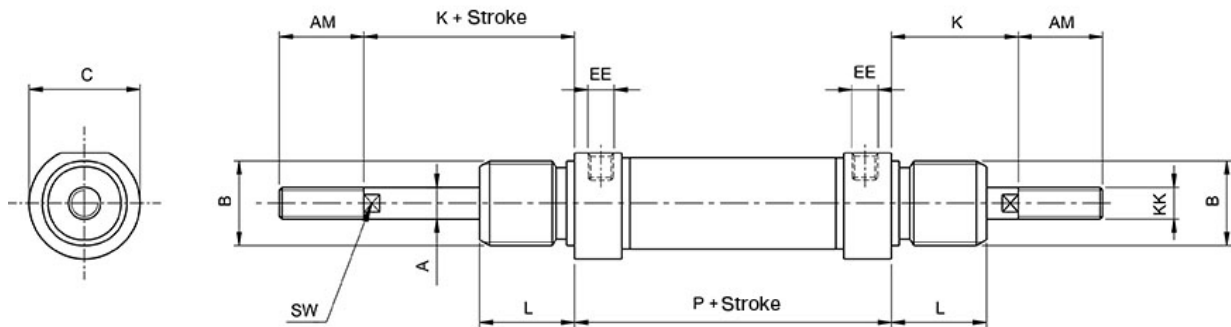
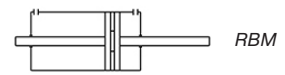


Ø [mm]	A	B	C	D	E	K	L	M	N	P	R	AM	EE	KK	SW
Ø 16	6	M16x1,5	12	21	6	22	18	109	9	53	82	16	M5	M6	5
Ø 20	8	M22x1,5	16	27	8	24	20	131	12	67	95	20	G1/8"	M8	7
Ø 25	10	M22x1,5	16	30	8	28	22	140	12	68	104	22	G1/8"	M10x1,25	9



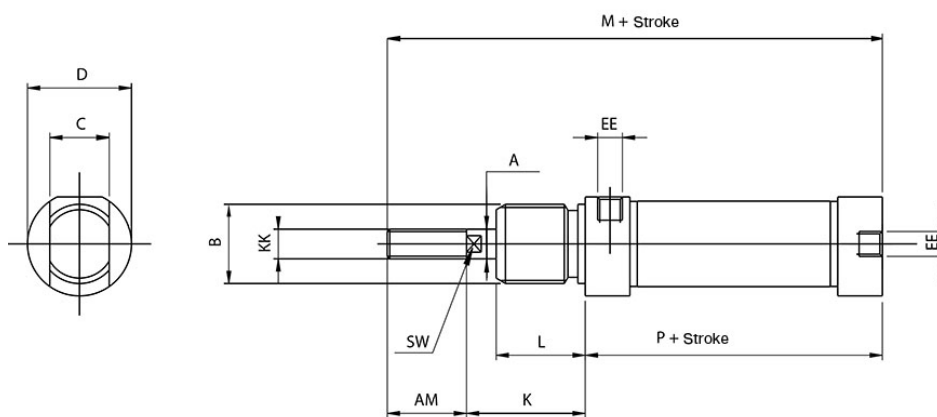
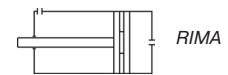
RBM

page 20



Ø [mm]	A	B	C	K	L	P	AM	EE	KK	SW
Ø 16	6	M16x1,5	19	22	18	53	16	M5	M6	5
Ø 20	8	M22x1,5	27	24	20	67	20	G1/8"	M8	7
Ø 25	10	M22x1,5	30	28	22	68	22	G1/8"	M10x1,25	9

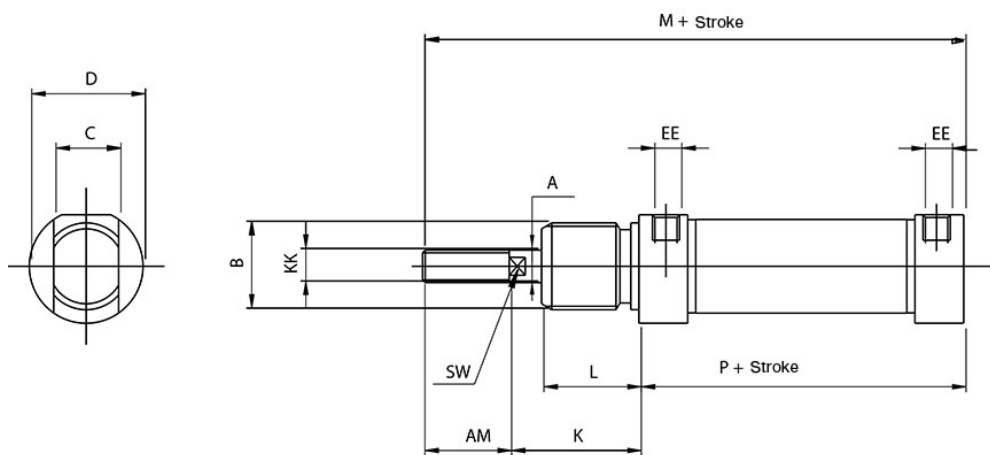
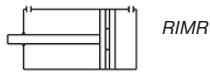
RIMA



Ø [mm]	A	B	C	D	K	L	M	P	AM	EE	KK	SW
Ø 16	6	M16x1,5	12	21	22	18	109	53	16	M5	M6	5
Ø 20	8	M22x1,5	16	27	24	20	131	67	20	G1/8"	M8	7
Ø 25	10	M22x1,5	16	30	28	22	140	68	22	G1/8"	M10x1,25	9



RIMR

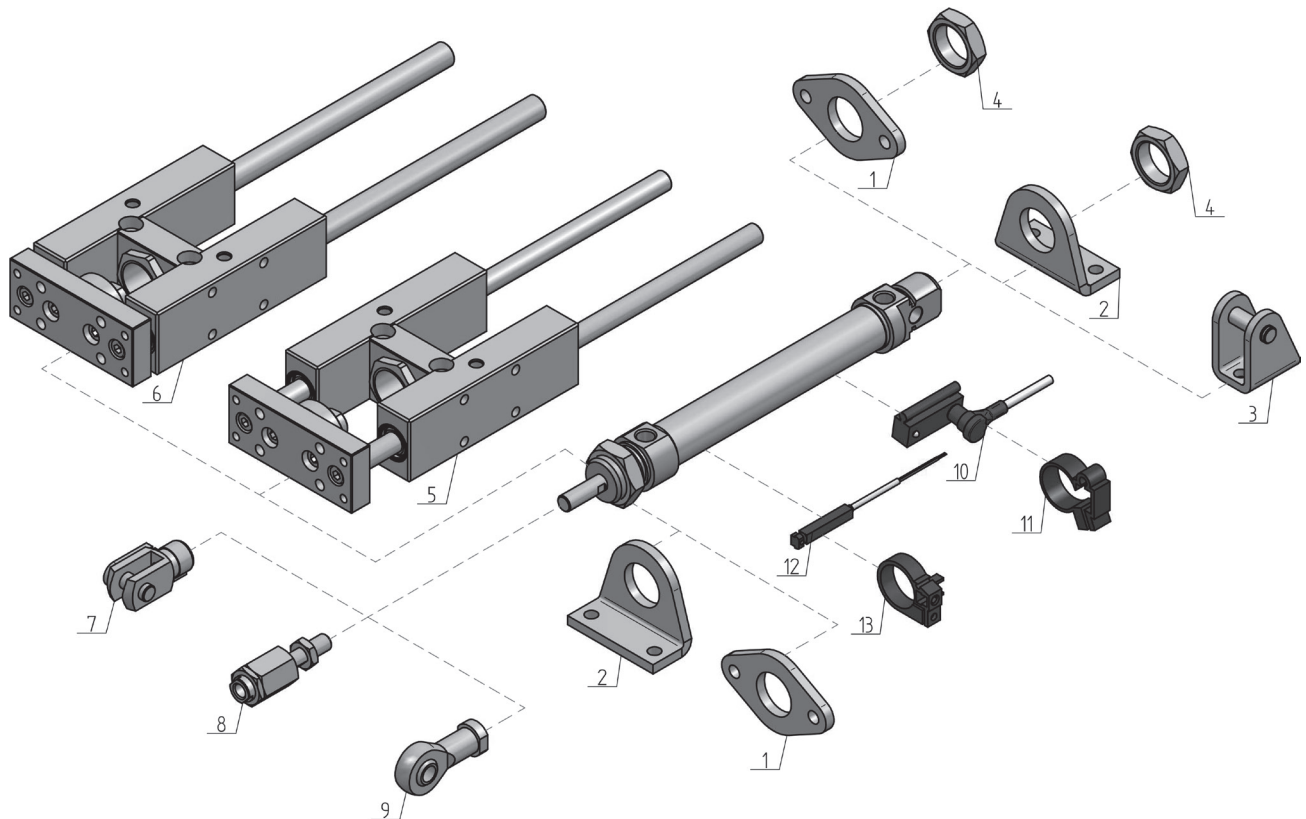


Ø [mm]	A	B	C	D	K	L	M	P	AM	EE	KK	SW
Ø 16	6	M16x1,5	12	21	22	18	91,5	53	16	M5	M6	5
Ø 20	8	M22x1,5	16	27	24	20	111,5	67	20	G1/8"	M8	7
Ø 25	10	M22x1,5	16	30	28	22	118,5	68	22	G1/8"	M10x1,25	9



Accessories Round Cylinder | ISO 6432

page 22



Part	Type	Description	Page
1	RF/RFX	Flange	132
2	RL	Foot mounting	132
2	RLX	Foot mounting - stainless steel	132
3	RG	Female hinge with pin	133
3	RGX	Female hinge with pin - stainless steel	133
4	RA	Nose nut	133
4	RAX	Nose nut - stainless steel	133
5	RHS	H-shaped guide unit with plain bearing	148
5	RHSL	H-shaped guide unit with plain bearing and longer coupling	149
6	RHG	H-shaped guide unit with ball bearings	149
6	RHGL	H-shaped guide unit with ball bearings and longer coupling	149
7	UV	Clevis with lockable pin	129
8	FK	Self-aligning coupling	131
9	UK	Rod eye with internal thread	130
9	UKF	Rod eye with external thread	128
10	SM	REED switch	145
11	RX	Fastener for SM switch	145
12	SKR/SKH	REED / PNP switch	144
13	RXP	Fastener for SKR and SKH switch	145